

# Document Feeder (C600)

## Document Feeder (C600)

### PARTS CATALOG

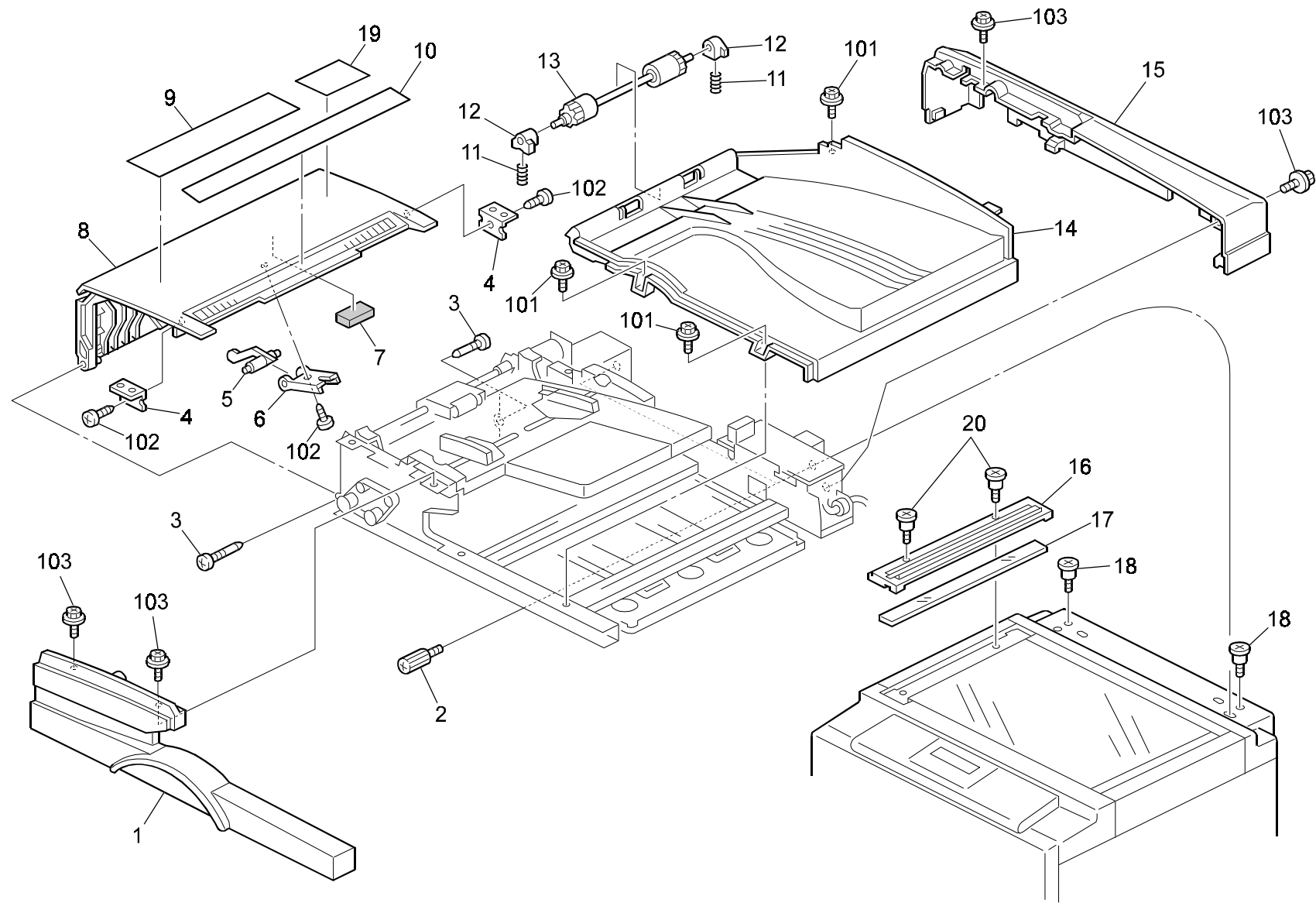
This catalog gives the numbers and names of parts on this machine.

### CONTENTS

1. EXTERIOR (C600) .....	2
2. ORIGINAL TABLE (C600) .....	4
3. PAPER FEED (C600) .....	6
4. TRANSFER SECTION (C600) .....	8
5. PAPER EXIT (C600).....	10
6. ELECTRICAL SECTION (C600) .....	12
7. FRAME SECTION (C600) .....	14
<b>Parts Index.....</b>	<b>17</b>

January ,30 ' 2001

# 1. EXTERIOR (C600)

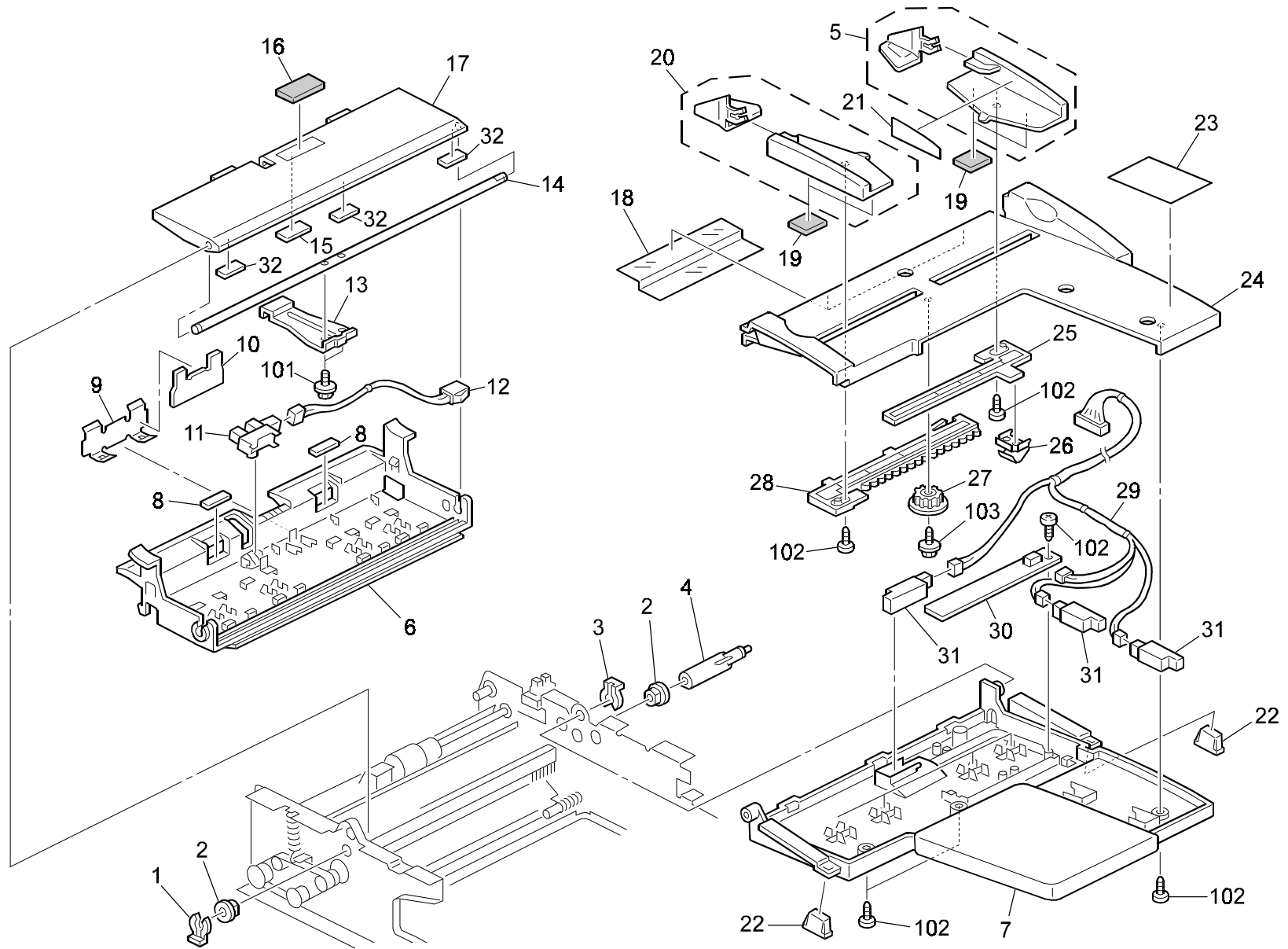


## 1. EXTERIOR (C600)

Index No.	Part No.	Description	Q'ty Per Assembly
1	A859 4811	Front Cover	1
2	A628 3115	Knob Screw - M4	1
3	5446 2824	Screw - Duplex Guide Plate	2
4	A859 4873	Positioning Plate	2
5	A859 4871	Feeler Original Sensor	1
6	A859 4872	Bracket Feeler	1
7	A859 4881	Cushion Paper Feed	1
8	A859 4841	Left Cover	1
9	A859 6011	Decal - Misfeed Removal	1
10	A859 6021	Decal Size Indication	1
11	AA06 3311	Transport Roller Spring	2
12	A859 4836	Bushing Exit Driven Roller	2
13	A859 4837	Exit Driven Roller	1
14	A859 4831	Upper Cover	1
15	A859 4821	Rear Cover	1
16	A859 7101	Scale	1
17	AC01 3004	Exposure Glass	1
18	A193 1759	Stepped Screw	2
19	A858 6062	Decal - Exposure Glass	1
20	A859 7211	Stepped Screw	2

Index No.	Part No.	Description	Q'ty Per Assembly
101	0451 3006B	Tapping Screw - M3x6	
102	0452 3008B	Tapping Screw - M3x8	
103	0451 3008H	Tapping Screw - M3x8	

## 2. ORIGINAL TABLE (C600)

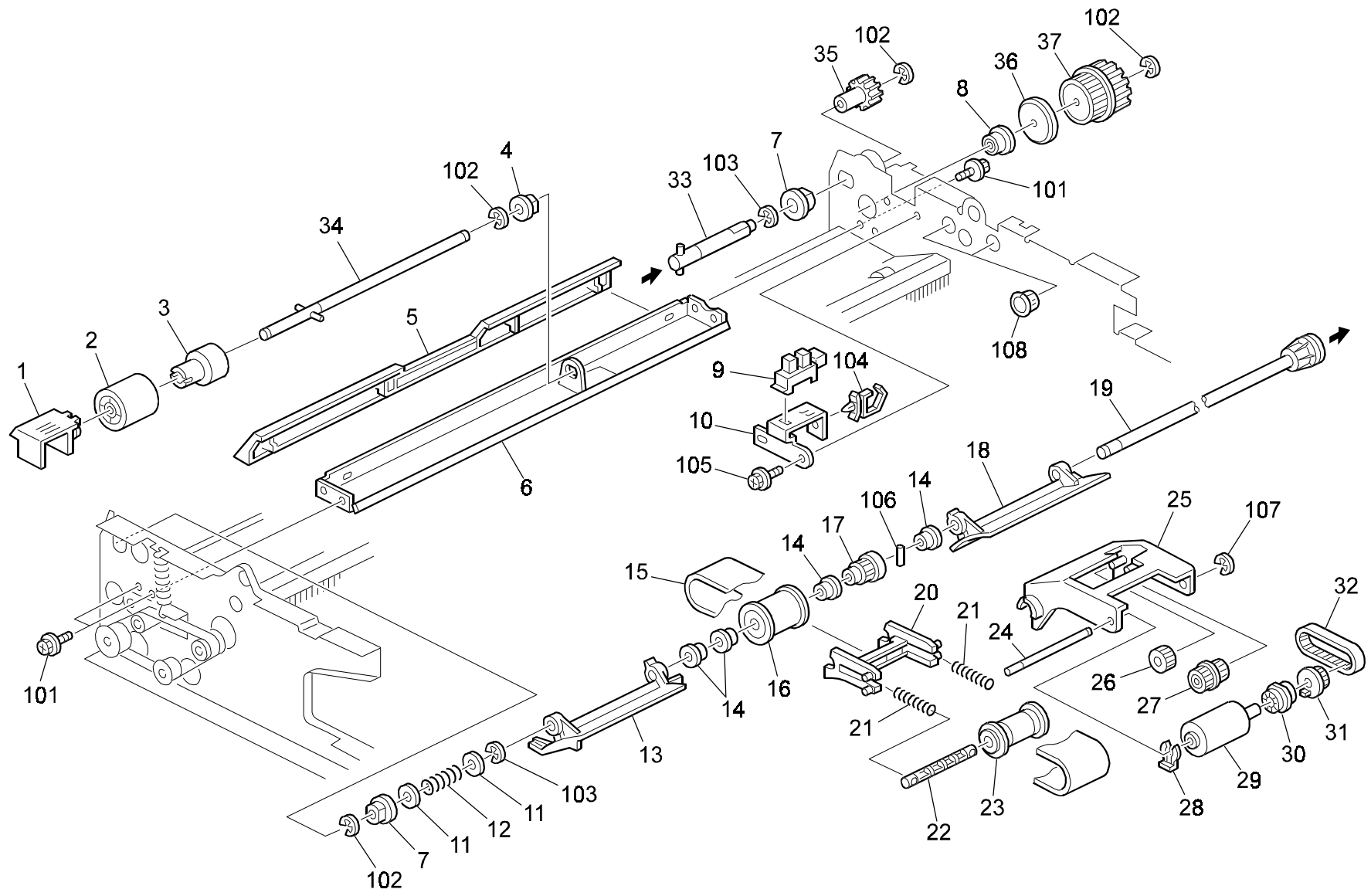


## 2. ORIGINAL TABLE (C600)

Index No.	Part No.	Description	Q'ty Per Assembly
1	5447 2681	Snap Ring	1
2	H060 2126	Bushing - M6x7	2
3	5215 2621	Snap Ring - M6	1
4	A859 2355	Lever Pressure Plate	1
5	A859 4720	Side Fence Back	1
6	A859 2311	Guide Plate Paper Feed	1
7	A859 4631	Paper Tray Behind	1
8	A859 2319	Cushion Base	2
9	A859 2317	Guide Separation Pad	1
10	A859 2315	Separation Pad	1
11	AW02 0075	Photointerruptor	1
12	A859 5705	Sensor Relay Harness	1
13	A859 2353	Pressure Plate Base	1
14	A859 2354	Shaft Base	1
15	A859 4876	Cushion Left	1
16	A859 2352	Pad Pressure Plate	1
17	A859 2351	Base Paper Feed	1
18	A858 4681	Sheet - Paper Tray	2
19	A351 4951	Left Side Guide Pad	4
20	A859 4710	Side Fence Front	1
21	A859 6041	Decal Side Fence	1
22	G012 1531	Magnet	2
23	C600 6931	Decal Original Insert	1
24	A859 4621	Paper Tray	1
25	A859 4662	Rack Rear Side Fence	1
26	A859 4663	Electrode Plate Side Fence	1
27	A859 4665	Gear - 16Z	1
28	A859 4661	Rack Front Side Fence	1
29	A859 5702	Original Tray Harness	1
30	A859 5550	Paper Size Sensor Board	1
31	AW01 0087	Photo Sensor - Ass'y	1
32	A859 2356	Cushion Base Bottom	3

Index No.	Part No.	Description	Q'ty Per Assembly
101	0451 3006B	Tapping Screw - M3x6	
102	0452 3008B	Tapping Screw - M3x8	
103	0450 3008B	Tapping Screw - M3x8	

### 3. PAPER FEED (C600)



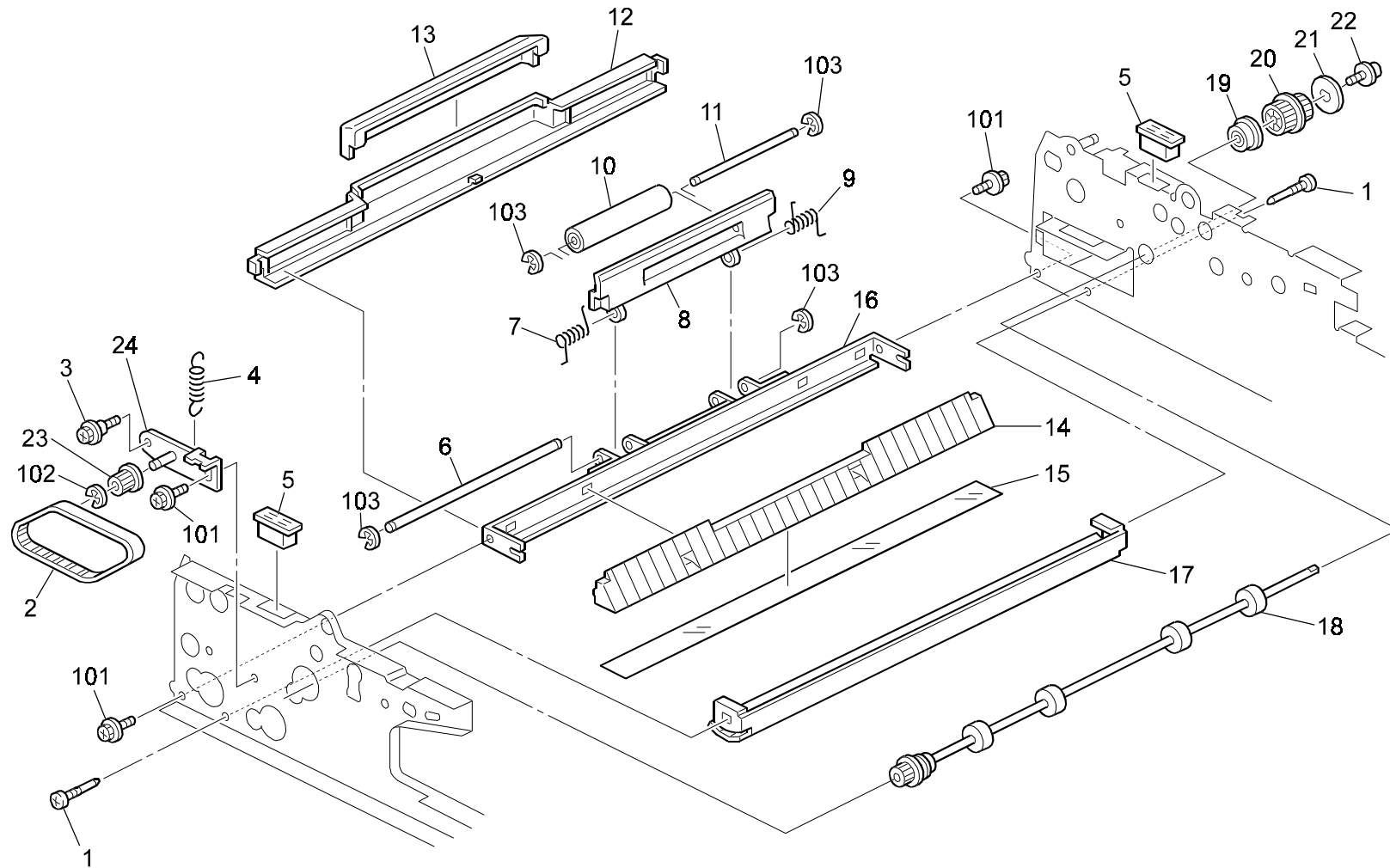
### 3. PAPER FEED (C600)

Index No.	Part No.	Description	Q'ty Per Assembly
1	A859 2220	Cover Reverse Roller	1
2	A859 2241	Reverse Roller	1
3	A247 2900	Torque Limiter - 53mnm	1
4	5053 0447	Bushing - 6mm	1
5	A859 1621	Separation Guide	1
6	A859 1610	Separation Stay	1
7	5304 1639	Bushing - 8mm	2
8	A859 2230	Ball Bearing - 6x13x5	1
9	AW02 0075	Photointerruptor	1
10	A859 1123	Bracket Sensor	1
11	AA13 2013	Spacer	2
12	AA06 3315	Spring - Belt Drive Shaft	1
13	A859 2132	Front Guide Paper Feed	1
14	A628 1225	Bushing - 8mm	4
15	A859 2141	Belt Paper Feed	1
16	A859 2114	Drive Roller Paper Feed Belt	1
17	A859 2121	Gear - 22Z	1
18	A859 2131	Rear Guide Paper Feed	1
19	A859 2120	Drive Shaft Paper Feed Belt	1
20	A859 2110	Belt Holder	1
21	AA06 3318	Spring - Belt Guide Roller	2
22	A859 2112	Drive Shaft Paper Feed Belt	1
23	A859 2113	Drivem Roller Paper Feed Belt	1
24	A859 2162	Shaft Pick Up Roller	1
25	A859 2151	Holder Pick Up	1
26	A859 2167	Gear - 22Z	1
27	A859 2168	Pulley - 22Z	1
28	5206 2686	Snap Ring	1
29	A859 2161	Pickup Roller	1
30	A859 2163	Collar Pick Up	1
31	A859 2164	Pulley - 2Z	1
32	A859 2166	Timing Belt - 2XL	1
33	A859 4216	Shaft Electromagnetic Clutch	1
34	A859 2210	Shaft Reverse Roller	1
35	A859 4221	Gear - 31Z	1

Index No.	Part No.	Description	Q'ty Per Assembly
36	A859 4222	Flange - Pulley	1
37	A859 4231	Gear - 20Z/36T	1
101	0802 5276	Tapping Screw With Washer - M3x6	
102	0720 0040B	Retaining Ring - M4	
103	0720 0060B	Retaining Ring - M6	
104	1105 0310	Harness Clamp - LWS-1S	
105	0451 3006B	Tapping Screw - M3x6	
106	0632 0100	Parallel Pin - M2x10	
107	0720 0030B	Retaining Ring - M3	
108	1106 0193	Bushing - 7.9mm	



## 4. TRANSFER SECTION (C600)

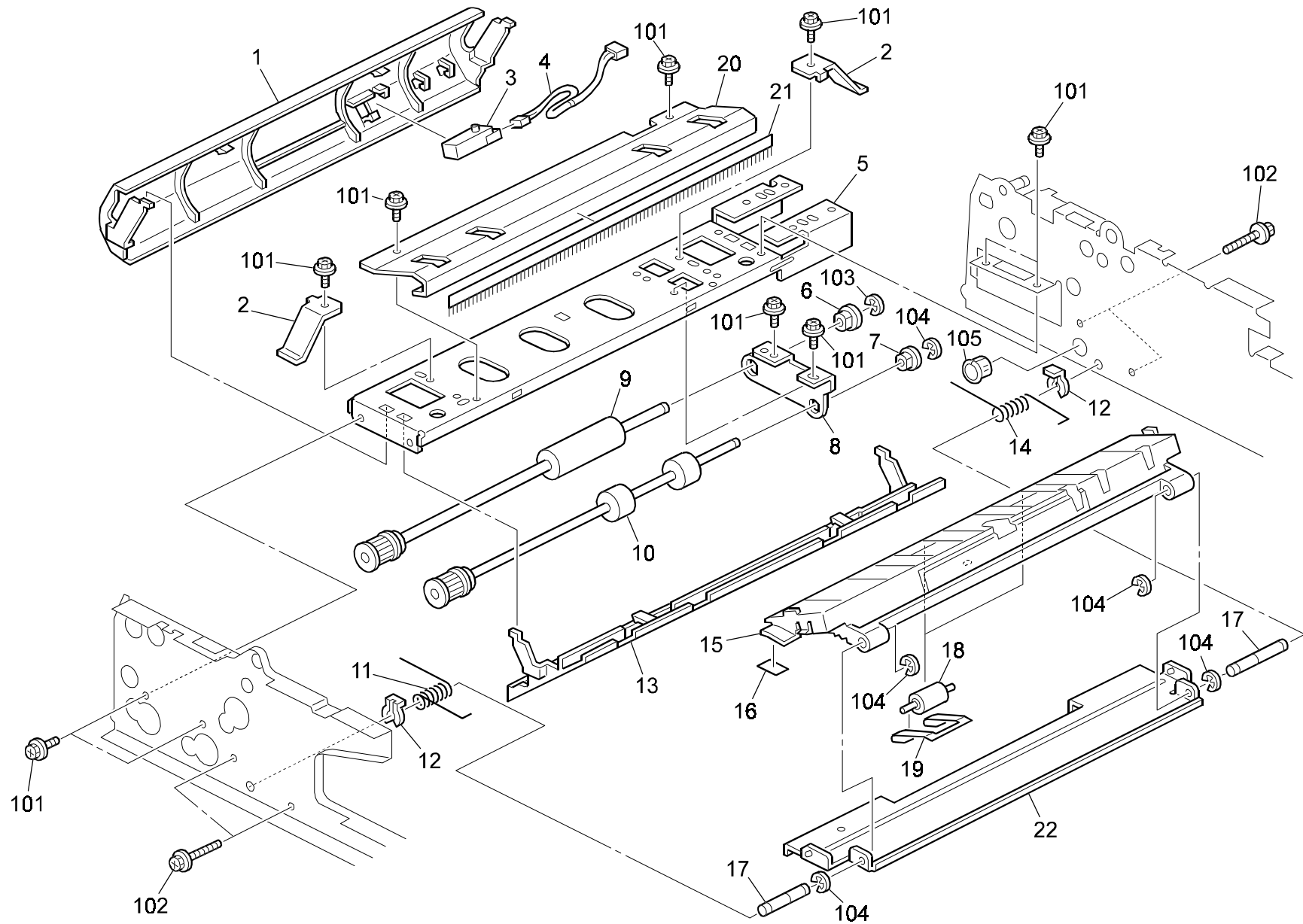


#### 4. TRANSFER SECTION (C600)

Index No.	Part No.	Description	Q'ty Per Assembly
1	5446 2824	Screw - Duplex Guide Plate	2
2	A859 4331	Timing Belt - 2XL	1
3	A697 1125	Stepped Screw - Lever	1
4	A859 4341	Tension Spring	1
5	A859 1181	Magnet Catch	2
6	A859 3317	Shaft Contact Point	1
7	A859 3318	Torsion Spring Front	1
8	A859 3316	Lever Pullout	1
9	A859 3319	Torsion Spring Rear	1
10	A859 3311	Transport Driven Roller	1
11	A859 3313	Driven Shaft Pressure	1
12	A859 4851	Left Lower Cover	1
13	A859 4856	Cover Driven	1
14	A859 1721	Left Lower Guide	1
15	A859 1722	Entrance Guide	1
16	A859 1710	Left Lower Stay	1
17	A859 3511	Guide Exposure Glass	1
18	A859 3130	Exit Roller Drive	1
19	A859 2230	Ball Bearing - 6x13x5	1
20	A859 4271	Pulley - 31/32Z	1
21	A859 4272	Flange	1
22	A590 2214	Screw - M3X5	1
23	A859 4321	Pulley - 20Z	1
24	A859 4311	Adjusting Pin-m6	1

Index No.	Part No.	Description	Q'ty Per Assembly
101	0451 3006B	Tapping Screw - M3x6	
102	0720 0040B	Retaining Ring - M4	
103	0720 0030B	Retaining Ring - M3	

## 5. PAPER EXIT (C600)

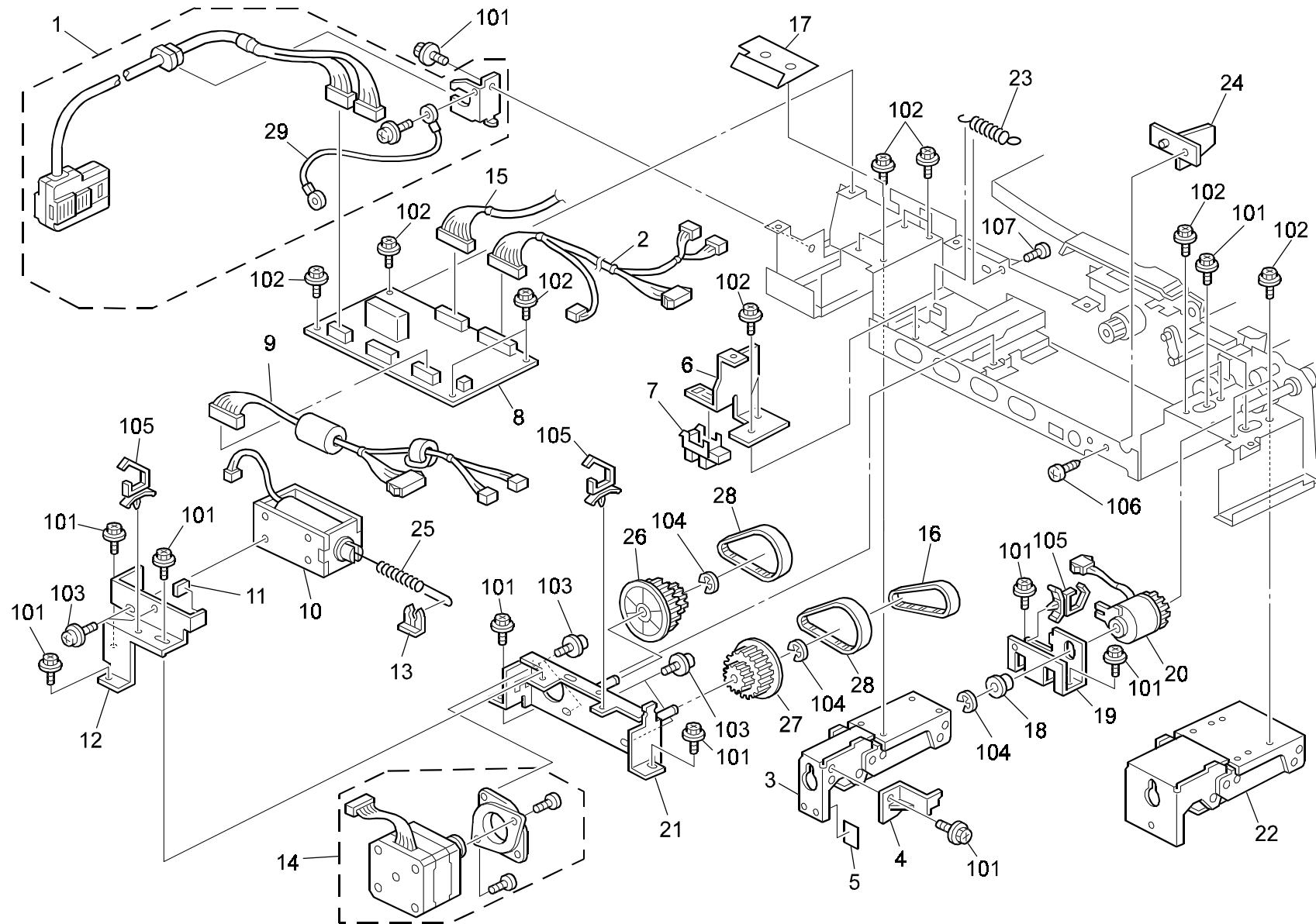


## 5. PAPER EXIT (C600)

Index No.	Part No.	Description	Q'ty Per Assembly
1	A859 3210	Guide Plate Transport Roller	1
2	A859 1322	Spring Plate	2
3	AW01 0093	Photo Refiection Sensor - PS-117ND1	1
4	A859 5705	Sensor Relay Harness	1
5	A859 1311	Left Stay	1
6	5304 1639	Bushing - 8mm	1
7	5053 0447	Bushing - 6mm	1
8	A859 1320	Bracket Transport Roller	1
9	A859 3110	Transport Roller	1
10	A859 3120	Transport Roller Middle	1
11	A859 3431	Spring Front	1
12	5447 2681	Snap Ring	2
13	A859 3220	Guide Plate Upper Exit	1
14	A859 3430	Spring Rear	1
15	A859 3411	Exit Guide Plate	1
16	A859 6023	Decal Green	1
17	A859 3412	Shaft Exit Guide Plate	2
18	A859 3420	Middle Driven Roller	2
19	A859 3425	Spring Plate	2
20	A859 3240	Shutter - Upper Exit	1
21	A859 3225	Discharge Brush	1
22	A859 3413	Cover Exit Guide Plate	1

Index No.	Part No.	Description	Q'ty Per Assembly
101	0451 3006B	Tapping Screw - M3x6	
102	0451 4014B	Tapping Screw - M4x14	
103	0720 0060B	Retaining Ring - M6	
104	0720 0040B	Retaining Ring - M4	
105	1106 0193	Bushing - 7.9mm	

## 6. ELECTRICAL SECTION (C600)

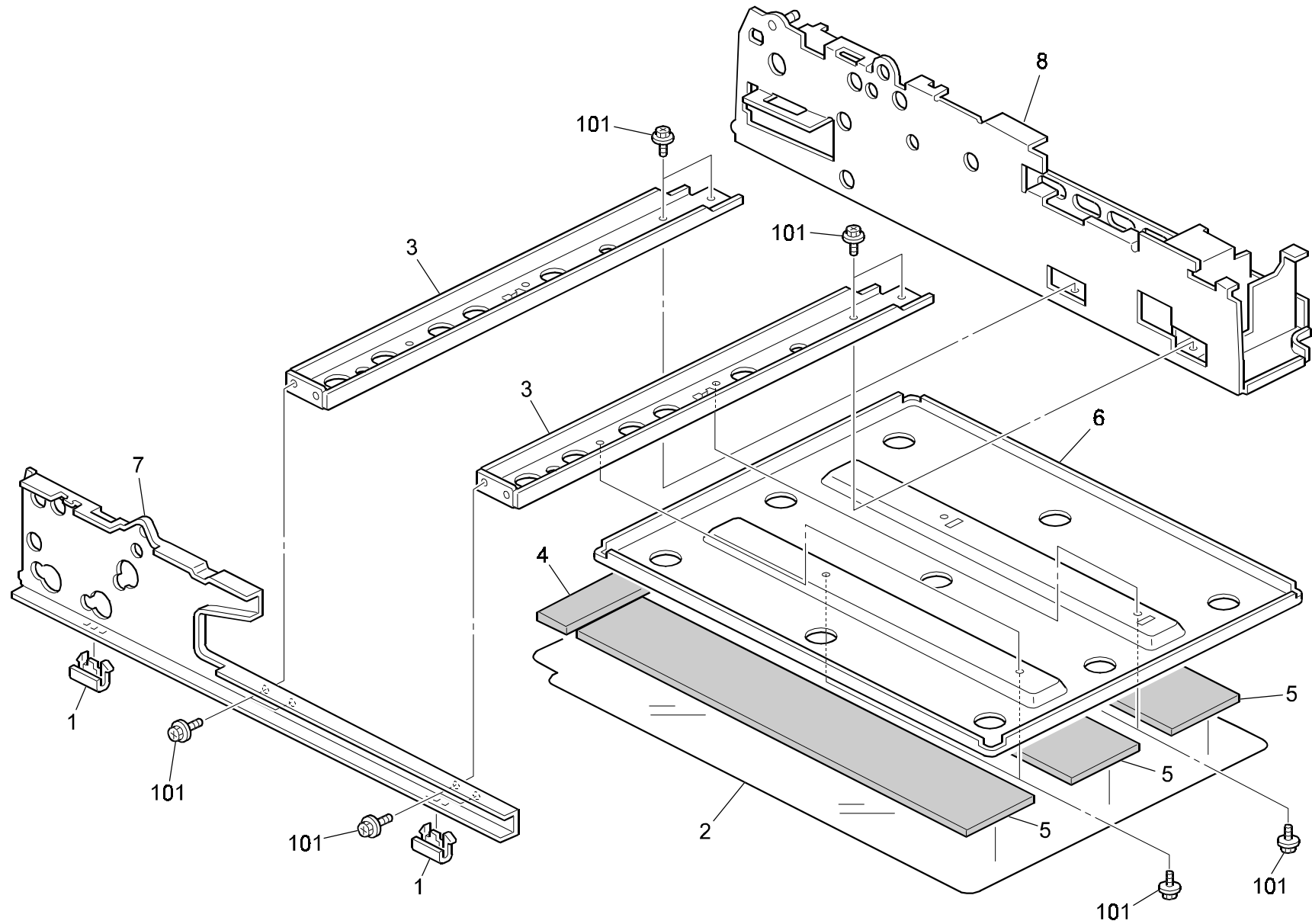


## 6. ELECTRICAL SECTION (C600)

Index No.	Part No.	Description	Q'ty Per Assembly
1	C600 5278	Interface Stay	1
2	A859 5700	Main Harness	1
3	A859 1831	Right Hinge	1
4	A859 1841	Filler DF Open Sensor	1
5	A334 4678	Rack Shield Mylar	1
6	A859 1122	Right Sensor Bracket	1
7	AW02 0075	Photointerruptor	1
8	C600 5145	Printed Circuit Board Ass'y	1
9	A859 5704	Harness - Transport Motor	1
10	AX11 0067	DCSOL 6mm 4700mN	1
11	A028 3264	Stopper Cushion	1
12	A859 4411	Bracket Solenoid	1
13	5206 2686	Snap Ring	1
14	B387 4121	Stepper Motor Ass'y	1
15	A859 5702	Original Tray Harness	1
16	A859 4171	Timing Belt - 2XL	1
17	A859 1131	Insulating Sheet	1
18	5304 1639	Bushing - 8mm	1
19	A859 1315	Bracket Electromagnetic Clutch	1
20	AX21 0071	Electromagnetic Clutch - 30z	1
21	C600 6110	Motor Bracket Ass'y	1
22	A859 1811	Left Hinge	1
23	A859 4197	Tension Spring Motor	1
24	A859 1121	Fille APS	1
25	C600 5276	Ground Wire Ass'y	1
26	C600 6115	Timing Pulley - 20Z/68Z	1
27	C600 6116	Timing Pulley - 20Z/60Z	1
28	C600 6117	Timing Belt - B40S2M180	2

Index No.	Part No.	Description	Q'ty Per Assembly
101	0451 3006B	Tapping Screw - M3x6	
102	0451 4006B	Tapping Screw - 4x6	
103	0951 3006B	Philips Screw With Flat Washer - M3x6	
104	0720 0040B	Retaining Ring - M4	
105	1105 0310	Harness Clamp - LWS-1S	
106	0452 3008B	Tapping Screw - M3x8	

## 7. FRAME SECTION (C600)



## 7. FRAME SECTION (C600)

Index No.	Part No.	Description	Q'ty Per Assembly
1	A859 1221	Spacer	2
2	A859 3611	Sheet Platen Cover	1
3	A859 1511	Middle Stay	2
4	A859 3614	Sponge Left Platen Cover	1
5	A859 3613	Sponge Platen Cover	3
6	A859 3615	Base Platen Cover	1
7	A859 1211	Front Side Plate	1
8	A859 1110	Rear Side Plate	1

Index No.	Part No.	Description	Q'ty Per Assembly
101	0451 3006B	Tapping Screw - M3x6	



# Parts Index

## Parts Index

Part No.	Description	Page and Index No.
C600 5145	Printed Circuit Board Ass'y	13- 8
C600 5276	Ground Wire Ass'y	13- 25
C600 5278	Interface Stay	13- 1
C600 6110	Motor Bracket Ass'y	13- 21
C600 6115	Timing Pulley - 20Z/68Z	13- 26
C600 6116	Timing Pulley - 20Z/60Z	13- 27
C600 6117	Timing Belt - B40S2M180	13- 28
C600 6931	Decal Original Insert	5- 23

Part No.	Description	Page and Index No.
AA06 3311	Transport Roller Spring	3- 11
AA06 3315	Spring - Belt Drive Shaft	7- 12
AA06 3318	Spring - Belt Guide Roller	7- 21
AA13 2013	Spacer	7- 11
AC01 3004	Exposure Glass	3- 17
AW01 0087	Photo Sensor - Ass'y	5- 31
AW01 0093	Photo Refiection Sensor - PS-117ND1	11- 3
AW02 0075	Photointerruptor	7- 9
AW02 0075	Photointerruptor	5- 11
AW02 0075	Photointerruptor	13- 7
AX11 0067	DCSOL 6mm 4700mN	13- 10
AX21 0071	Electromagnetic Clutch - 30z	13- 20
B387 4121	Stepper Motor Ass'y	13- 14
G012 1531	Magnet	5- 22
H060 2126	Bushing - M6x7	5- 2

Part No.	Description	Page and Index No.
A028 3264	Stopper Cushion	13- 11
A193 1759	Stepped Screw	3- 18
A247 2900	Torque Limiter - 53mnm	7- 3
A334 4678	Rack Shield Mylar	13- 5
A351 4951	Left Side Guide Pad	5- 19
A590 2214	Screw - M3X5	9- 22
A628 1225	Bushing - 8mm	7- 14
A628 3115	Knob Screw - M4	3- 2
A697 1125	Stepped Screw - Lever	9- 3
A858 4681	Sheet - Paper Tray	5- 18
A858 6062	Decal - Exposure Glass	3- 19
A859 1110	Rear Side Plate	15- 8
A859 1121	Fille APS	13- 24
A859 1122	Right Sensor Bracket	13- 6
A859 1123	Bracket Sensor	7- 10
A859 1131	Insulating Sheet	13- 17
A859 1181	Magnet Catch	9- 5
A859 1211	Front Side Plate	15- 7
A859 1221	Spacer	15- 1
A859 1311	Left Stay	11- 5
A859 1315	Bracket Electromagnetic Clutch	13- 19
A859 1320	Bracket Transport Roller	11- 8
A859 1322	Spring Plate	11- 2
A859 1511	Middle Stay	15- 3
A859 1610	Separation Stay	7- 6
A859 1621	Separation Guide	7- 5
A859 1710	Left Lower Stay	9- 16
A859 1721	Left Lower Guide	9- 14
A859 1722	Entrance Guide	9- 15
A859 1811	Left Hinge	13- 22
A859 1831	Right Hinge	13- 3
A859 1841	Filler DF Open Sensor	13- 4
A859 2110	Belt Holder	7- 20
A859 2112	Drive Shaft Paper Feed Belt	7- 22
A859 2113	Drivem Roller Paper Feed Belt	7- 23

Part No.	Description	Page and Index No.
A859 2114	Drive Roller Paper Feed Belt	7- 16
A859 2120	Drive Shaft Paper Feed Belt	7- 19
A859 2121	Gear - 22Z	7- 17
A859 2131	Rear Guide Paper Feed	7- 18
A859 2132	Front Guide Paper Feed	7- 13
A859 2141	Belt Paper Feed	7- 15
A859 2151	Holder Pick Up	7- 25
A859 2161	Pickup Roller	7- 29
A859 2162	Shaft Pick Up Roller	7- 24
A859 2163	Collar Pick Up	7- 30
A859 2164	Pulley - 2Z	7- 31
A859 2166	Timing Belt - 2XL	7- 32
A859 2167	Gear - 22Z	7- 26
A859 2168	Pulley - 22Z	7- 27
A859 2210	Shaft Reverse Roller	7- 34
A859 2220	Cover Reverse Roller	7- 1
A859 2230	Ball Bearing - 6x13x5	7- 8
A859 2230	Ball Bearing - 6x13x5	9- 19
A859 2241	Reverse Roller	7- 2
A859 2311	Guide Plate Paper Feed	5- 6
A859 2315	Separation Pad	5- 10
A859 2317	Guide Separation Pad	5- 9
A859 2319	Cushion Base	5- 8
A859 2351	Base Paper Feed	5- 17
A859 2352	Pad Pressure Plate	5- 16
A859 2353	Pressure Plate Base	5- 13
A859 2354	Shaft Base	5- 14
A859 2355	Lever Pressure Plate	5- 4
A859 2356	Cushion Base Bottom	5- 32
A859 3110	Transport Roller	11- 9
A859 3120	Transport Roller Middle	11- 10
A859 3130	Exit Roller Drive	9- 18
A859 3210	Guide Plate Transport Roller	11- 1
A859 3220	Guide Plate Upper Exit	11- 13
A859 3225	Discharge Brush	11- 21

Part No.	Description	Page and Index No.
A859 3240	Shutter - Upper Exit	11- 20
A859 3311	Transport Driven Roller	9- 10
A859 3313	Driven Shaft Pressure	9- 11
A859 3316	Lever Pullout	9- 8
A859 3317	Shaft Contact Point	9- 6
A859 3318	Torsion Spring Front	9- 7
A859 3319	Torsion Spring Rear	9- 9
A859 3411	Exit Guide Plate	11- 15
A859 3412	Shaft Exit Guide Plate	11- 17
A859 3413	Cover Exit Guide Plate	11- 22
A859 3420	Middle Driven Roller	11- 18
A859 3425	Spring Plate	11- 19
A859 3430	Spring Rear	11- 14
A859 3431	Spring Front	11- 11
A859 3511	Guide Exposure Glass	9- 17
A859 3611	Sheet Platen Cover	15- 2
A859 3613	Sponge Platen Cover	15- 5
A859 3614	Sponge Left Platen Cover	15- 4
A859 3615	Base Platen Cover	15- 6
A859 4171	Timing Belt - 2XL	13- 16
A859 4197	Tension Spring Motor	13- 23
A859 4216	Shaft Electromagnetic Clutch	7- 33
A859 4221	Gear - 31Z	7- 35
A859 4222	Flange - Pulley	7- 36
A859 4231	Gear - 20Z/36T	7- 37
A859 4271	Pulley - 31/32Z	9- 20
A859 4272	Flange	9- 21
A859 4311	Adjusting Pin-m6	9- 24
A859 4321	Pulley - 20Z	9- 23
A859 4331	Timing Belt - 2XL	9- 2
A859 4341	Tension Spring	9- 4
A859 4411	Bracket Solenoid	13- 12
A859 4621	Paper Tray	5- 24
A859 4631	Paper Tray Behind	5- 7
A859 4661	Rack Front Side Fence	5- 28

Part No.	Description	Page and Index No.
A859 4662	Rack Rear Side Fence	5- 25
A859 4663	Electrode Plate Side Fence	5- 26
A859 4665	Gear - 16Z	5- 27
A859 4710	Side Fence Front	5- 20
A859 4720	Side Fence Back	5- 5
A859 4811	Front Cover	3- 1
A859 4821	Rear Cover	3- 15
A859 4831	Upper Cover	3- 14
A859 4836	Bushing Exit Driven Roller	3- 12
A859 4837	Exit Driven Roller	3- 13
A859 4841	Left Cover	3- 8
A859 4851	Left Lower Cover	9- 12
A859 4856	Cover Driven	9- 13
A859 4871	Feeler Original Sensor	3- 5
A859 4872	Bracket Feeler	3- 6
A859 4873	Positioning Plate	3- 4
A859 4876	Cushion Left	5- 15
A859 4881	Cushion Paper Feed	3- 7
A859 5550	Paper Size Sensor Board	5- 30
A859 5700	Main Harness	13- 2
A859 5702	Original Tray Harness	5- 29
A859 5702	Original Tray Harness	13- 15
A859 5704	Harness - Transport Motor	13- 9
A859 5705	Sensor Relay Harness	11- 4
A859 5705	Sensor Relay Harness	5- 12
A859 6011	Decal - Misfeed Removal	3- 9
A859 6021	Decal Size Indication	3- 10
A859 6023	Decal Green	11- 16
A859 6041	Decal Side Fence	5- 21
A859 7101	Scale	3- 16
A859 7211	Stepped Screw	3- 20

Part No.	Description	Page and Index No.
5053 0447	Bushing - 6mm	7- 4
5053 0447	Bushing - 6mm	11- 7
5206 2686	Snap Ring	13- 13
5206 2686	Snap Ring	7- 28
5215 2621	Snap Ring - M6	5- 3
5304 1639	Bushing - 8mm	11- 6
5304 1639	Bushing - 8mm	13- 18
5304 1639	Bushing - 8mm	7- 7
5446 2824	Screw - Duplex Guide Plate	9- 1
5446 2824	Screw - Duplex Guide Plate	3- 3
5447 2681	Snap Ring	11- 12
5447 2681	Snap Ring	5- 1

Part No.	Description	Page and Index No.
0450 3008B	Tapping Screw - M3x8	5-103
0451 3006B	Tapping Screw - M3x6	7-105
0451 3006B	Tapping Screw - M3x6	15-101
0451 3006B	Tapping Screw - M3x6	13-101
0451 3006B	Tapping Screw - M3x6	11-101
0451 3006B	Tapping Screw - M3x6	9-101
0451 3006B	Tapping Screw - M3x6	3-101
0451 3006B	Tapping Screw - M3x6	5-101
0451 3008H	Tapping Screw - M3x8	3-103
0451 4006B	Tapping Screw - 4x6	13-102
0451 4014B	Tapping Screw - M4x14	11-102
0452 3008B	Tapping Screw - M3x8	5-102
0452 3008B	Tapping Screw - M3x8	13-106
0452 3008B	Tapping Screw - M3x8	3-102
0632 0100	Parallel Pin - M2x10	7-106
0720 0030B	Retaining Ring - M3	9-103
0720 0030B	Retaining Ring - M3	7-107
0720 0040B	Retaining Ring - M4	9-102
0720 0040B	Retaining Ring - M4	11-104
0720 0040B	Retaining Ring - M4	13-104
0720 0040B	Retaining Ring - M4	7-102
0720 0060B	Retaining Ring - M6	11-103
0720 0060B	Retaining Ring - M6	7-103
0802 5276	Tapping Screw With Washer - M3x6	7-101
0951 3006B	Philips Screw With Flat Washer - M3x6	13-103
1105 0310	Harness Clamp - LWS-1S	7-104
1105 0310	Harness Clamp - LWS-1S	13-105
1106 0193	Bushing - 7.9mm	7-108
1106 0193	Bushing - 7.9mm	11-105